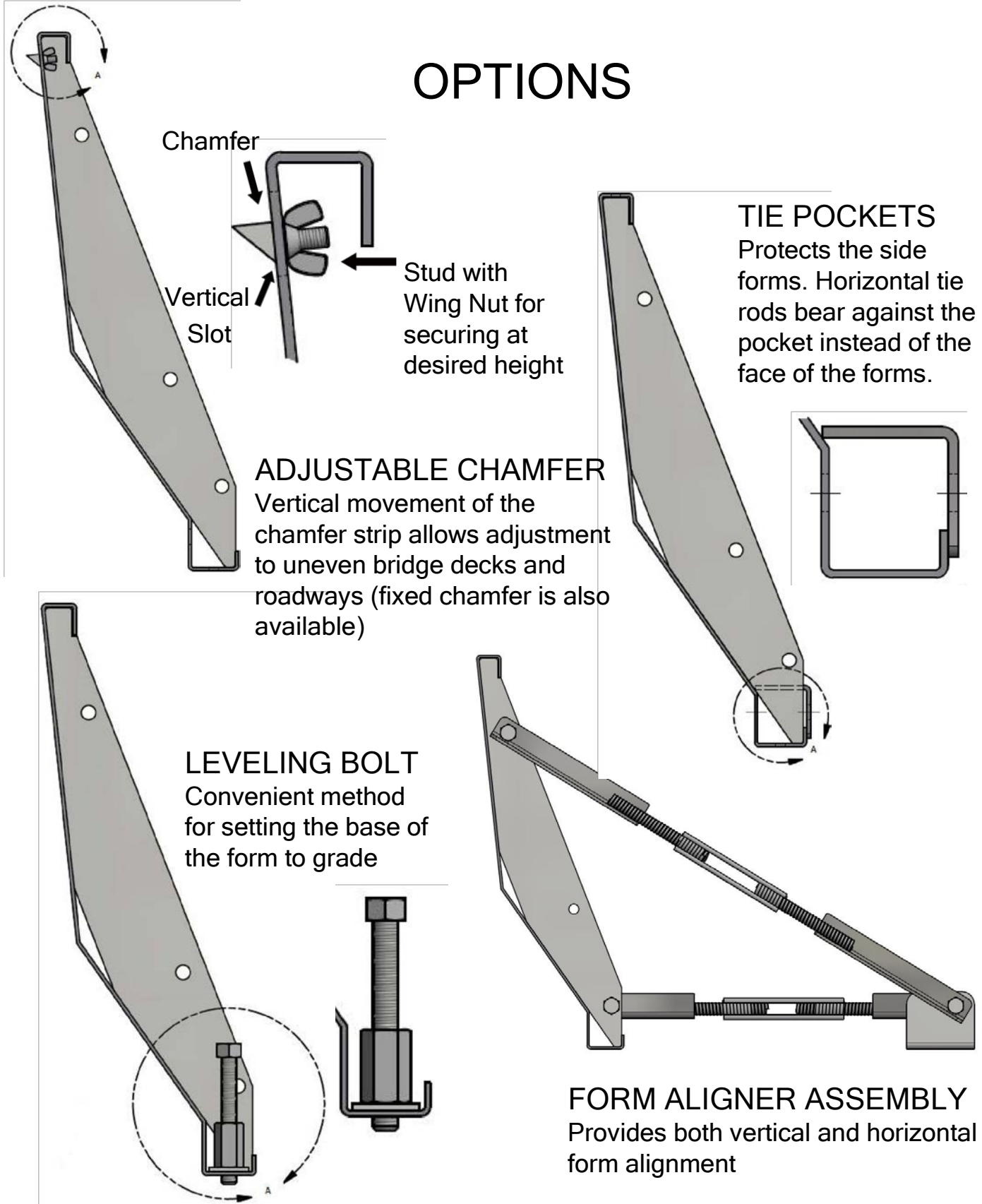
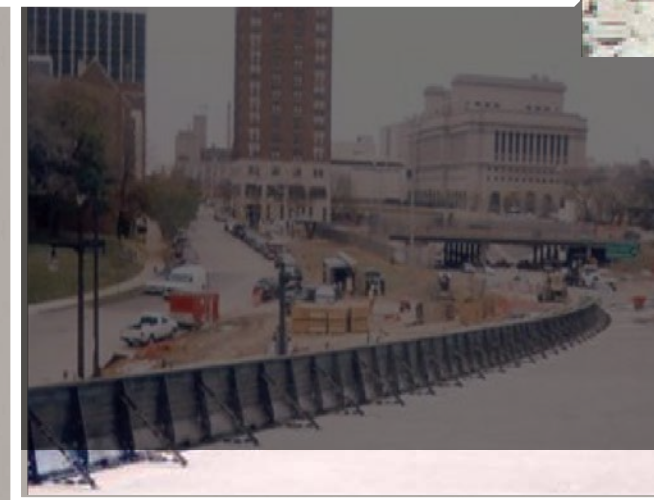


OPTIONS



BARRIER & PARAPET FORMS



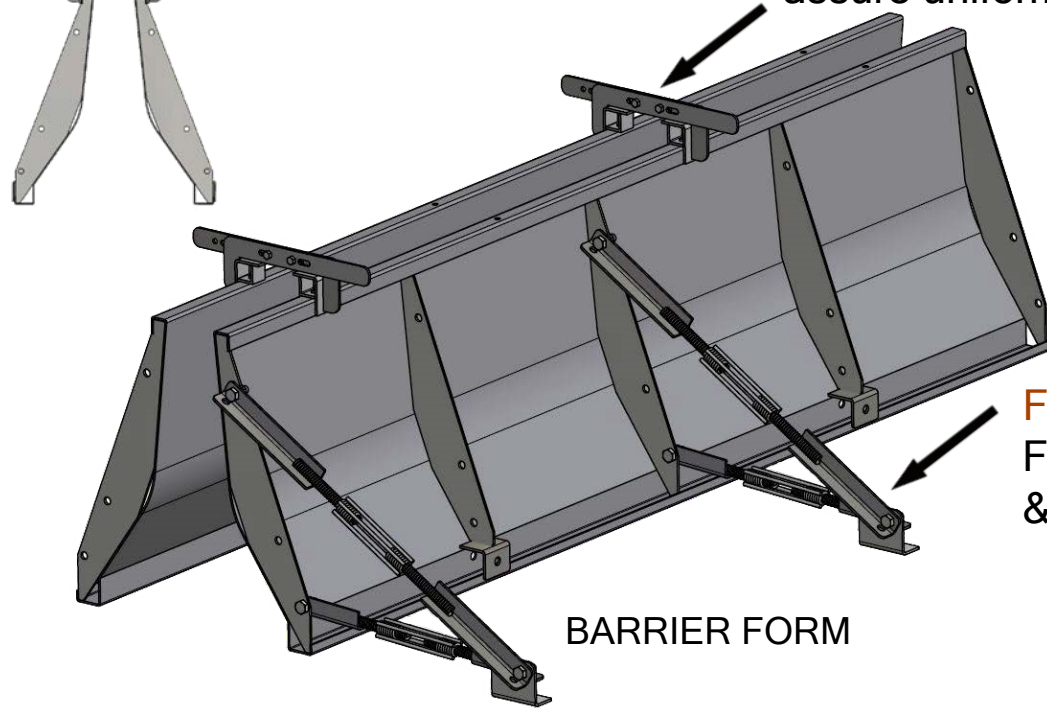
TYPICAL DOUBLE CONTOUR SET-UP

CONTOURED SIDE FORM



TOP SPACERS

Adjustable from 6" to 12"
assure uniform top thickness



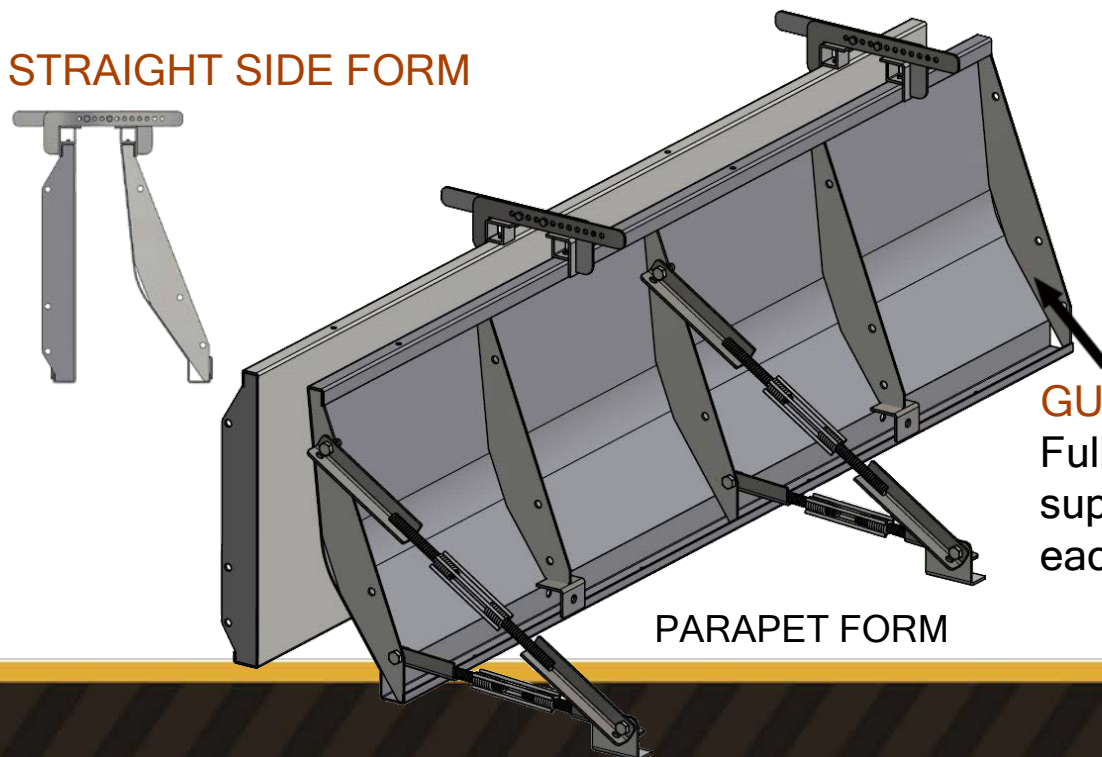
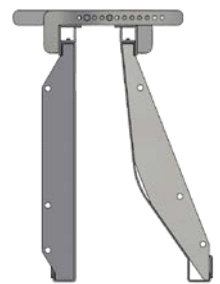
FORM ALIGNERS

For vertical
& horizontal alignment

BARRIER FORM

TYPICAL SINGLE CONTOUR SET-UP

STRAIGHT SIDE FORM



GUSSETS

Full height to maximize
support and rigidity of
each form

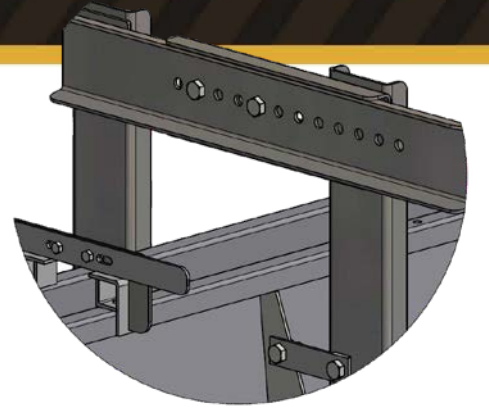
PARAPET FORM

HARDWARE

MOMENT ARMS

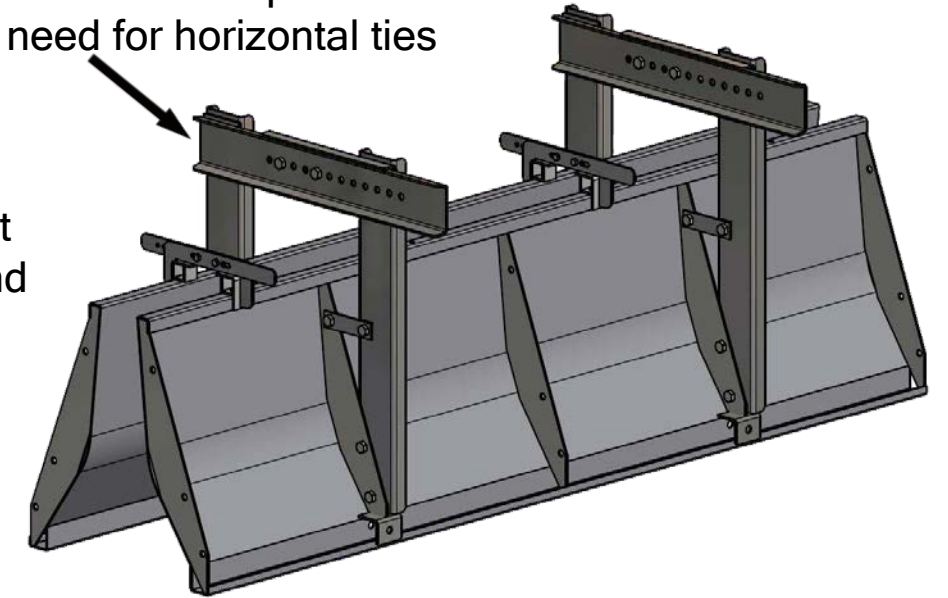
Easily adapt from a double contour set-up
to a single contour set-up with a straight
back

* arms can be engineered for a "no-spread/no-tie"
system eliminating the need for horizontal ties

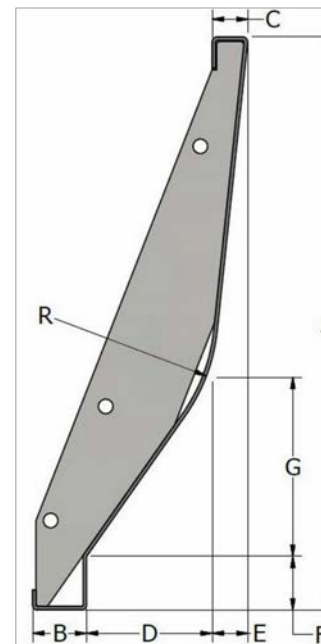


COIL BOLTS & NUTS

Quickly attach moment
arms to the gussets and
provide accurate end
alignment



GENERAL FORM PROFILES



*Drawing example outlines all specs required for all shapes

Contour Form
without Radius



Straight



Fully
Battered



Back Form
with Offset

